

DESCRIPTION

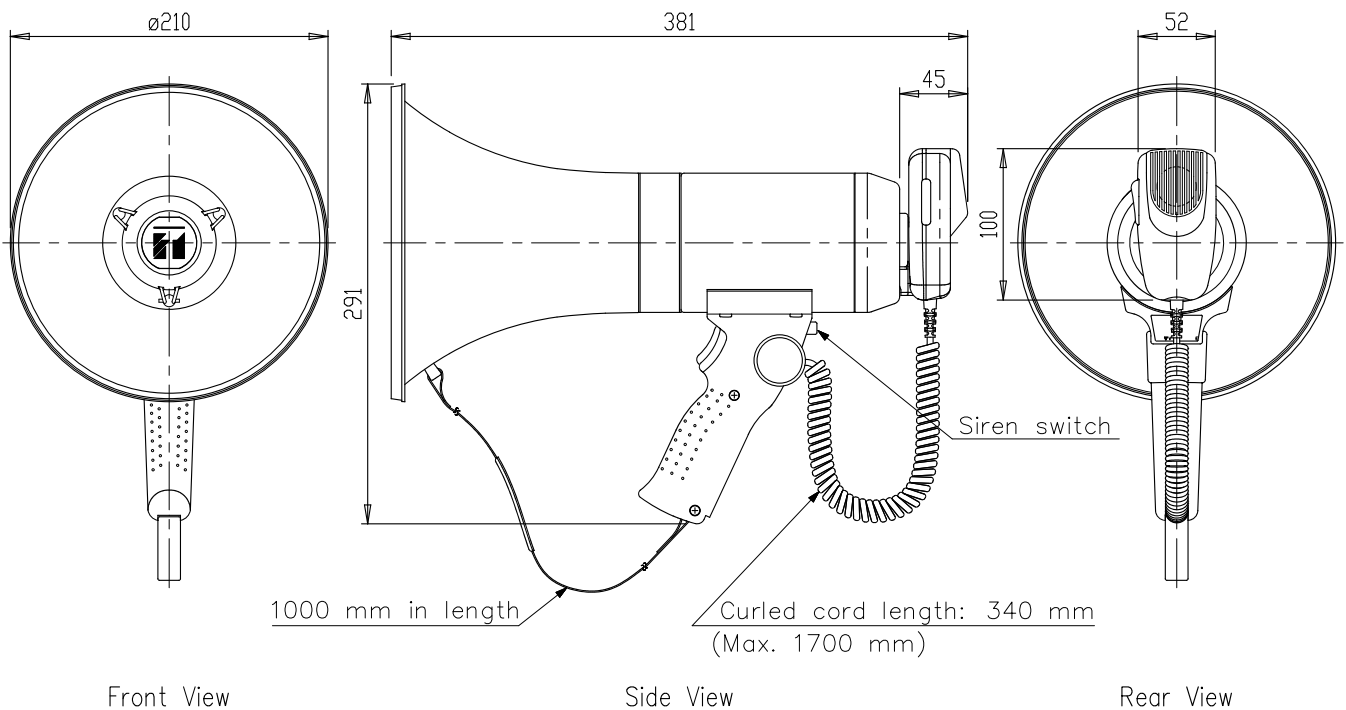
The ER-3215S-AS is a hand grip type, 15 W megaphone with a siren and a removable microphone. It can be used as a shoulder-type megaphone when the microphone is detached. The newly developed polyimide diaphragm is employed to ensure high sound quality.

SPECIFICATIONS

| | |
|-----------------------|---|
| Power Source | Battery R14P(SUM-2), Size "C" × 6 (9 V DC) |
| Rated Output | 15 W |
| Maximum Output | 23 W |
| Battery Life | Voice: Approx. 9 hours (JEITA)* Siren: Approx. 20 minutes (JEITA)* |
| Siren Sound | Siren (sounds at 5 seconds intervals) |
| Audible Range | Voice: Approx. 400 m (JEITA)* Siren: Approx. 500 m (JEITA)* |
| Diaphragm | Polyimide film (voice coil, bobbin) |
| Operating Temperature | -10 °C to +40 °C |
| Finish | Horn: ABS resin, red Microphone and other: ABS resin, red Strap: Nylon, black |
| Dimensions | 210 (W) × 291 (H) × 381 (D) mm (when attaching the microphone) |
| Weight | Body: 1.15 kg (without microphone and batteries) Microphone: 150 g |

Note: Batteries are optional.

* JEITA: Japan electronics and information technology industries association. (EIAJ TT-4501A)

APPEARANCE


<Note on the audible range and battery life>

- The indications of the audible range and battery life are based on the JEITA Standard*.
- Audible range presumes that the megaphone employs new batteries and is used on a quiet street.
It varies depending on such conditions as battery consumption, ambient noise, wind direction, and obstacles.
- Battery life assumes that megaphone is used for 30 minutes a day.