

# RE3-BPT RE3 Bodypack Transmitter



**Electro-Voice**

- Robust metal body
- Up to 36 MHz tuning bandwidth (band specific)
- Selectable low and high output power (band specific)
- Unique magnetic latch and lock for easy access to batteries
- Sync function for easy frequency setup



The RE3-BPT is a small, lightweight yet robust UHF bodypack transmitter. It is easily worn and concealed, making it an ideal form factor for a wide variety of professional presentation and performance applications. From stand-up presentations, to theatrical and musical performances, to high-energy fitness and athletic situations, this sleek and rugged transmitter fits comfortably and accepts a wide variety of input devices.

The all-metal body is robust and durable, and operates on 2 AA alkaline or rechargeable NiMH cells. The tuning bandwidth affords generous frequency tuning options helping to avoid various sources of possible interference. The selectable output power (band specific) assists in overcoming the challenges of both long, or short, transmission ranges. The unique magnetic sliding latch and lock mechanism keeps the battery door closed securely and makes opening to access the batteries effortless. The ultrasonic sync function makes for a simple system setup by syncing the transmitter to the receiver frequency tuning and other functional data. Recharging contacts provide for functional use with the optional BC2 charging station allowing the NiMH rechargeable cells within two bodypack transmitters to be charged without removal.

## Technical specifications

Frequency oscillation mode:	Phase-locked loop (PLL)
Available band names, tuning bandwidths, and carrier frequency ranges:	5L: 36 MHz (488-524 MHz) 5H: 36 MHz (560-596 MHz) 6M: 10 MHz (653-663 MHz) 8M: (823-865 MHz)* T: 3 MHz (803-806 MHz) *8M is split into two segments: 823-832MHz: 9MHz 863-865MHz: 2MHz
Sync frequency:	Ultrasonic
RF power output:	Frequency band specific: 5L (488-524MHz): Low 10mW / High 50mW 5H (560-596MHz): Low 10mW / High 50mW 6M (653-663MHz): Low 10mW / High 20mW 8M (823-865MHz): 10mW T (803-806MHz): Low 10mW / High 50mW
Display by:	LCD + LED
Function controls:	Power, mute, group, channel, frequency, sensitivity adjustment, input level attenuation, RF power, auto off, key lock.

## 2 | RE3-BPT RE3 Bodypack Transmitter

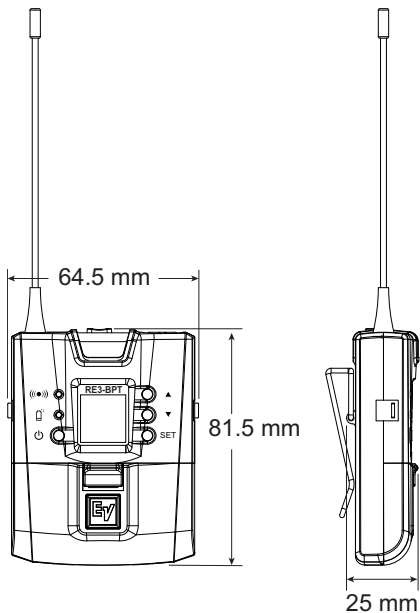
RF stability:	<±10kHz@Fc
Modulation frequency shift:	Wideband FM ±48kHz deviation
Harmonic radiation:	<-50dBc
Input jack:	4-pin mini jack
Battery:	2 x AA alkaline battery or NiMH rechargeable battery
Charging contacts:	Yes
Finish:	Black polyurethane paint
Dimensions (without antenna):	Height: 3.2 in. (81.5mm) Width: 2.54 in. (64.5mm) Depth: 0.98 in. (25mm)
Net weight:	6.14 oz. (0.174 kg)
Gross weight:	8.29 oz. (0.235 kg)

MHz is covered under FCC Part 15, and do not require an additional user license. For more information, see <https://www.fcc.gov/consumers/guides/operation-wireless-microphones>.

### Responsible Party - U.S. Contact Information Bosch Security Systems, Inc.

130 Perinton Parkway  
Fairport, NY 14450  
USA  
Tel: +1 (585) 223-4060

### Dimensions:



For full operational information, download the RE3 installation manual at [www.electrovoice.com](http://www.electrovoice.com).

### Licensing and certification declarations:

#### FCC information:

Certified under FCC Part 74.

**FCC IDs:** B5DB1245L and B5DB1245H

Certified under FCC Part 15 and FCC Part 74.

**FCC IDs:** B5DB1246M

### Notice!

Use of frequencies beginning at 653.000 MHz up to 657.000 MHz is covered under FCC Part 74 ID number B5DB1246M and requires an LPAS user license, however use of frequencies between 657.025 up to 663.000



**Notice!**

Changes or modifications made by the user could void the user's authority to operate the equipment.

This device complies with part 15 of the FCC Rules. Operation is subject to the following two conditions: (1) This device may not cause harmful interference, and (2) this device must accept any interference received, including interference that may cause undesired operation.

**This equipment has been tested and found to comply with the limits for a Class B digital device, pursuant to Part 15 of the FCC Rules. These limits are designed to provide reasonable protection against harmful interference in a residential installation. This equipment generates, uses, and can radiate radio frequency energy and, if not installed and used in accordance with the instructions, may cause harmful interference to radio communications.**

However, there is no guarantee that interference will not occur in a particular installation. If this equipment does cause harmful interference to radio or television reception, which can be determined by turning the equipment off and on, the user is encouraged to try to correct the interference by one or more of the following measures:

- Reorient or relocate the receiving antenna.
- Increase the separation between the equipment and receiver.
- Connect the equipment to an outlet on a circuit different from that to which the receiver is connected.

Consult the dealer or an experienced radio/TV technician for help.

**IC (Industry Canada)**

Certified in Canada by IC under RSS-102, RSS-210, and RSS-Gen

**IC:** 1321A-RE3BPT488, 1321A-RE3BPT560, and 1321A-RE3BPT653

This Class B digital apparatus complies with Canadian ICES-003. Cet appareil numérique de la classe B est conforme à la norme NMB-003 du Canada.

This device complies with Industry Canada license-exempt RSS standard(s). Operation is subject to the following two conditions:

- (1) This device may not cause interference, and
- (2) This device must accept any interference, including interference that may cause undesired operation of the device.

Le présent appareil est conforme aux CNR d'Industrie Canada applicables aux appareils radio exempts de licence. L'exploitation est autorisée aux deux conditions suivantes:

- (1) l'appareil ne doit pas produire de brouillage, et
- (2) l'utilisateur de l'appareil doit accepter tout brouillage radioélectrique subi, même si le brouillage est susceptible d'en compromettre le fonctionnement.

**Notice!**

Regarding RE3-BPT-6M (653-663 MHz); the use of frequencies between 653.025 up to 663.000 MHz, please check Canada's ISED (Innovation, Science and Economic Development) website for the current information of the license status of this band.

**EU (European Union)**

The CE Declaration of Conformity can be obtained and downloaded from: [www.electrovoice.com](http://www.electrovoice.com)

This Equipment is in compliance with CE requirements and the following directives:

- 2011/65/EU RoHS Directive
- 2012/19/EU WEEE Directive
- 2014/53/EU RED Directive

Regarding (applies to) handheld transmitter RE3-HHT-5L (480-524 MHz), RE3-HHT-5H (560-596 MHz), RE3-HHT-6M (653-663 MHz), RE3-HHT-8M (823-865 MHz), and bodypack transmitter RE3-BPT-5L (480-524 MHz), RE3-BPT-5H (560-596 MHz), RE3-BPT-6M (653-663 MHz), and RE3-BPT-8M (823-865 MHz):

This equipment is intended for use in wireless microphone applications.

Some countries in the EEA (European Economic Area) have restrictions placed on this equipment. If an EEA country is not listed it did not have any restrictions of the product at the time this document was published. The country codes used in regard to these restrictions are the following:

Austria (AT), Belgium (BE), Cyprus (CY), Denmark (DK), Germany (DE), Greece (EL), Spain (ES), Ireland (IE), Iceland (IS), Latvia (LV), Lithuania (LT), Malta (MT), Norway (NO), Slovakia (SK), Sweden (SE) and United Kingdom (UK).

Listed below are these restrictions:

- Transmitters in the ranges, 488 - 524 MHz, 560 - 596 MHz, and 653 - 663 MHz require a license in the following countries: AT, BE, CY, DE, IE, LV, LT, SK, SE, UK.

- Transmitters in the ranges, 488 - 524 MHz, 560 - 596 MHz, and 653 - 663 MHz require the transmitter be used in TV white spaces in the following countries: AT, DK, IS, MT, NO, ES.
- Transmitters in the ranges, 488 - 524 MHz, 560 - 596 MHz, and 653 - 663 MHz if used outdoor will have geographical restrictions of operation in the United Kingdom (UK).
- Transmitters in the range, 823 - 865, require a license for use in the 823 - 832 MHz range in the following countries: AT, BE, CY, EL, IE, LV, LT, UK.
- Transmitters in the range, 488 - 524 MHz may only use the range 510 - 524 MHz in Norway (NO).

**Notice!**



TV white spaces are gaps between operating TV broadcast stations where there are no active TV broadcasts.

Always consult your national authority before placing equipment into operation as requirements and spectrum usage can change.

**AU and NZ**

This device operates under an ACMA class license and must comply with all the terms of that license including operating frequencies.

**Licensing information**

Licensing: A ministerial license to operate this equipment may be required in certain areas. Consult your national authority for possible requirements. Changes or modifications not expressly approved by Electro-Voice could void your authority to operate the equipment. Licensing of Electro-Voice wireless microphone equipment is the user's responsibility, and licensability depends on the user's classification and application, and upon the selected frequencies on which it will operate. Electro-Voice advises the user to contact the appropriate telecommunications authority concerning proper licensing, and before selecting and ordering frequency bands.

**Notices**

**Battery precautions**

- Keep batteries out of the reach of children.
- Observe and install batteries according to the correct polarity as marked on the battery and the transmitter battery compartment.
- Do not expose the battery to excessive heat such as sunshine, fire, or other sources of high heat.
- Always consider the environment issues and follow local regulations when disposing of batteries.
- Remove depleted battery immediately.
- Danger of explosion if battery is incorrectly replaced. Replace only with the same or equivalent type.
- Use only disposable LR6 (AA) alkaline or NiMH batteries.
- Do not mix new batteries with old ones in the transmitter at the same time.
- Do not use different battery types or models.

- Do not use a leaking battery. If battery leakage occurs, avoid contact with skin. If contact occurs, immediately wash thoroughly with soap and water.
- If battery leakage comes into contact with your eyes, immediately flush with water and seek medical attention.
- Remove and safely store batteries away from the transmitter when the transmitter will not be used for 60 or more days.

**Replacement parts**

Order number	Description
ESP-EF01U362342	RE3-BPT belt clip
ESP-EF01U362343	RE3-BPT door assembly
ESP-EF01U362344	RE3-BPT display window

**Compatible products**

Order number	Description
RE3-ACC-OL3	Omnidirectional lavalier mic with 4-pin mini plug
RE3-ACC-CL3	Cardioid lavalier mic with 4-pin mini plug
RE3-ACC-HW3	Headworn mic with 4-pin mini plug
RE3-ACC-GC3	Instrument cable; 1/4" to 4-pin mini plug
OLM10	Omnidirectional lavalier condenser mic with 4-pin mini plug
ULM18	Uni-directional lapel mic
ULM21	Cardioid lavalier condenser mic with 4-pin mini plug
RE92TX	Premium cardioid lapel microphone with 4-pin mini plug
RE97LTX-BEIGE	Miniature omnidirectional lapel microphone with 4-pin mini plug, beige
RE97LTX-BLACK	Miniature omnidirectional lapel microphone with 4-pin mini plug, black
RE920TX	Premium cardioid instrument mic with a custom shock mounting clip and 4-pin mini plug
RE97TX-BEIGE	Omnidirectional low profile headworn microphone in light beige color with 4-pin mini plug
RE97TX-BLACK	Omnidirectional low profile headworn microphone in black color with 4-pin mini plug
RE97-2TX-BEIGE	Omnidirectional low profile, double ear headworn microphone with 4-pin mini plug
HM2	Headworn cardioid condenser vocal mic with 4-pin mini plug
HM3	Omnidirectional headworn mic

Order number	Description
HM7	Headworn cardioid condenser vocal mic with 4-pin mini plug
WPHS-746	Headworn condenser vocal mic with 4-pin mini plug. Waterproofing material covers mic and headband
PH-21	Headworn, cardioid condenser mic with 4-pin mini plug
WLM-50	Omni-directional electret lapel mic with 4-pin mini plug
MAC-G3	Guitar cord featuring George L's cable with 4-pin mini plug

## Ordering information

### RE3-BPT-5L Bodypack transmitter 488-524MHz

RE3 wireless bodypack transmitter, 5L band, 488-524 MHz, black

Order number **RE3-BPT-5L**

### RE3-BPT-5H Bodypack transmitter 560-596MHz

RE3 wireless bodypack transmitter, 5H band, 560-596 MHz, black

Order number **RE3-BPT-5H**

### RE3-BPT-6M Bodypack transmitter 653-663MHz

RE3 wireless bodypack transmitter, 6M band, 653-663 MHz, black

Order number **RE3-BPT-6M**

### RE3-BPT-8M Bodypack transmitter 823-865MHz

RE3 wireless bodypack transmitter, 8M band, 823-865 MHz, black

Order number **RE3-BPT-8M**

### RE3-BPT-T Bodypack transmitter 803-806MHz

RE3 wireless bodypack transmitter, T band, 803-806 MHz, black

Order number **RE3-BPT-T**

## Accessories

### RE3-ACC-BC2 Two slot battery charger

Two slot battery charger for RE3-BPT and RE3-HHT transmitters, black

Order number **RE3-ACC-BC2**

## Represented by:

### Germany:

Bosch Sicherheitssysteme GmbH  
Robert-Bosch-Ring 5  
85630 Grasbrunn  
Germany

Bosch Security Systems, Inc.  
12000 Portland Avenue South  
Burnsville MN 55337  
USA

[www.electrovoice.com](http://www.electrovoice.com)