

FLEXY E

F-ONE

FLEXY E is powerful sound Line Array Speaker System, This series adapting to different preferences and scale of applications. With high performance offers various combinations and choices always herewith a proper solution that meets your need. The true modular design provides FLEXY E series amazing flexibilities to be combined, split and extended freely from 300 people to 8000 people scaled application, from the simplest 2+1 mono to 4-way large system.

F1-110E

10-INCH PASSIVE LINE ARRAY SPEAKER



- 10-inch 2-way bi-amp passive line array speaker.
- Driver high quality with One 3" (1.4" exit) Neodymium (75mm Coil) and One 10" (75mm Coil) Neodymium.
- Designed by the right all criteria of Wave front Sculpture Tecchnology (WST).
- 90° horizontal and 10° vertical coverage.
- Ultra compact and solid enclosure high quality multilayer plywood.
- Finished with Black water-based paint.
- Applications with rigging system, ground stacked for font fill use or pole-mounted on F1-118E Subwoofer for main PA.

F1-118E

18-INCH PASSIVE SUBWOOFER



- 18-inch passive subwoofer speaker.
- Driver high quality with One 18" driver (100mm voice coil) Ferrite.
- Ultra compact and solid enclosure high quality multilayer birch plywood.
- Finished with Black water-based paint.
- 4 lockable wheels design offers easy movement.
- Applications with rigging system, ground stacked for font fill use or pole-mounted under F1-110E line array speaker for main PA.

F1-18SA

ACTIVE 18-INCH SUBWOOFER

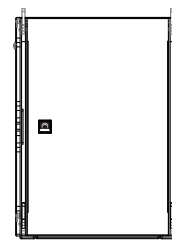
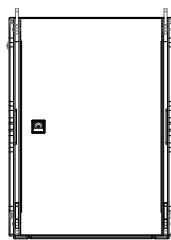
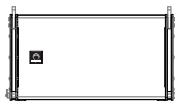


- 18-inch active subwoofer speaker.
- Driver high quality with One 18" driver (100mm voice coil) Ferrite.
- Class-D Amplifier Module with Analog Circuit Technology.
- Huge Switching Power Supply.
- Ultra compact and solid enclosure high quality multilayer birch plywood.
- Finished with Black water-based paint.
- 4 lockable wheels design offers easy movement.
- Applications with rigging system, ground stacked for font fill use or pole-mounted under F1-110E line array speaker for main PA.

FLEXYE

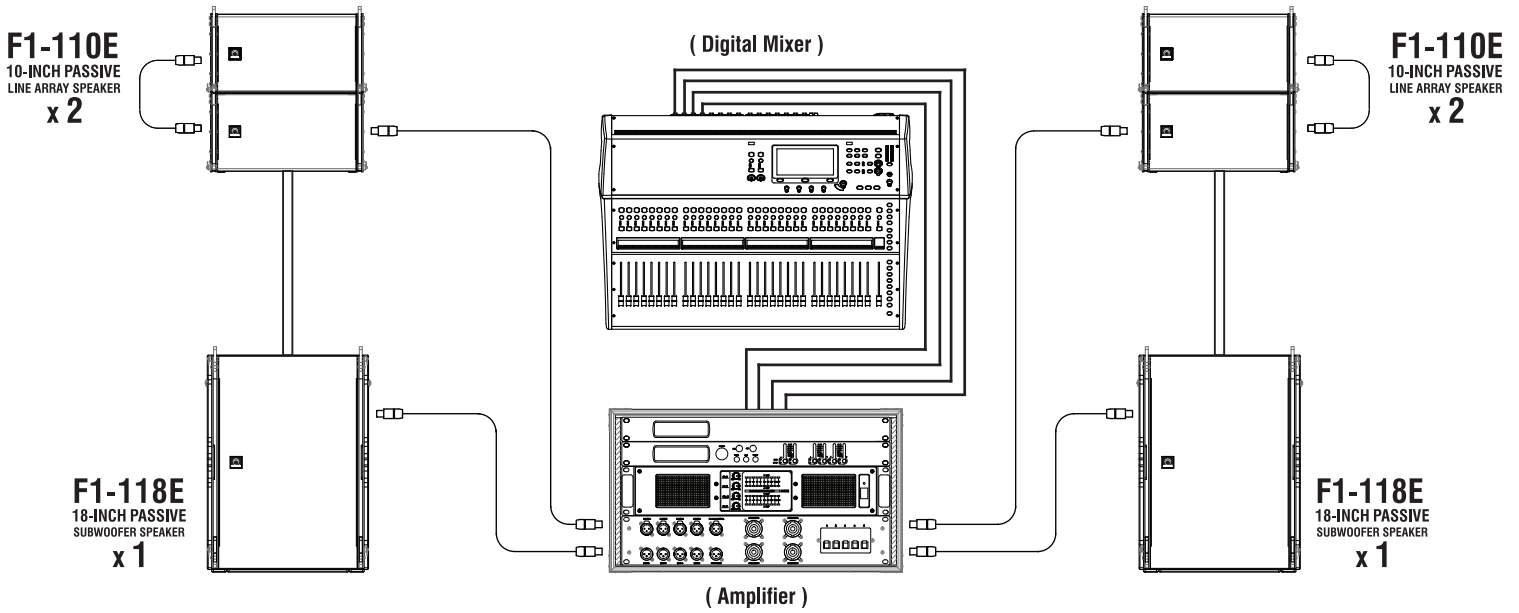
F-ONE

SPECIFICATIONS

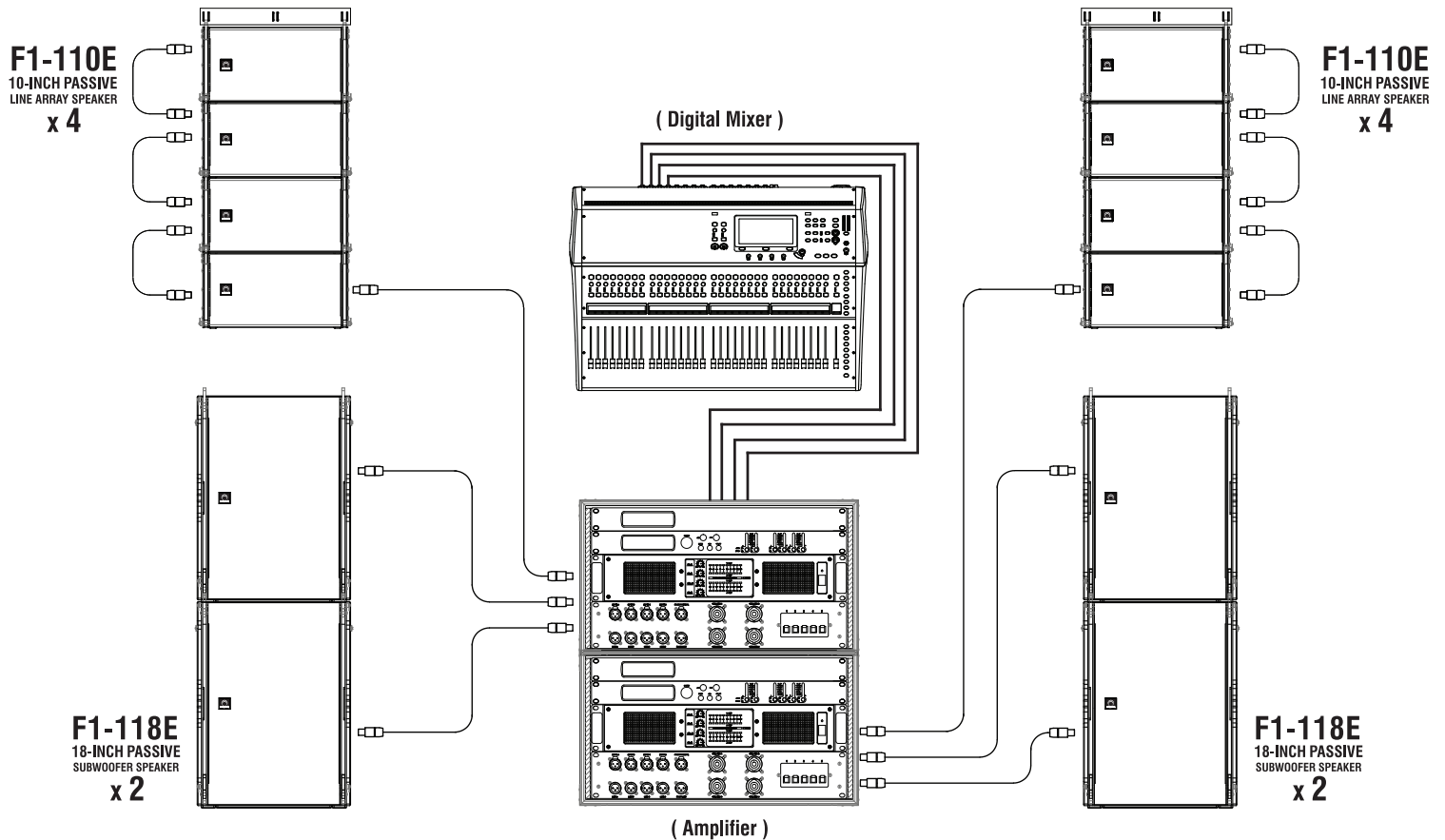


MODEL	F1-110E	F1-118E	F1-18SA		
Frequency Response ($\pm 3\text{dB}$)	90 Hz~18 KHz	45 Hz~100 Hz	45 Hz~100 Hz		
Frequency Response (-10dB)	80 Hz~20 KHz	35 Hz~150 Hz	35 Hz~150 Hz		
Horizontal Coverage	90°	-	-		
Vertical Coverage	10° (adjustable maximum)	-	-		
LF Power Rating (AES)	350W @16 Ω	800W @8 Ω	800W		
HF Power Rating (AES)	80W @16 Ω	-	-		
Sensitivity (@1W/1m) LF/HF	103/110 dB	98 dB	98 dB		
Maximum SPL LF/HF	128/129 dB	127 dB	127 dB		
Peak SPL LF/HF	134/135 dB	133 dB	133 dB		
Driver LF	One 10" (75mm Coil.) Neodymium	One 18" (100mm Voice Coil.) Ferrite	One 18" (100mm Voice Coil.) Ferrite		
Driver HF	One 3" (1.4" exit) Neodymium (75mm Coil.)	-	-		
Connectors	2 Neutrik NL4	2 Neutrik NL4	Neutrik XLR + POWERCON + SPEAKON		
Connection Method	LF : 1+1- , HF: 2+2-	LF : 1+1-	-		
Enclosure	15mm, 18mm Multilayer Plywood	15mm, 18mm , 24mm Multilayer Plywood	15mm, 18mm, 24mm Multilayer Birch Plywood		
Grille	Black Steel Mesh + Acoustic Transparent Cloth	Black Steel Mesh + Acoustic Transparent Cloth	Black Steel Mesh + Acoustic Transparent Cloth		
Finish	Black water-based paint	Black water-based paint	Black water-based paint		
Riggings	3 Fly Points + Pole Mounts	4 Fly Points + Pole Mounts	4 Fly Points + Pole Mounts		
3 Channels Class-D Amp Module@4 Ω	-	-	SUB Channel	LF Channel	HF Channel
	-	-	2500W	2500W	1000W
THD (1Khz, Full Power 4 Ω)	-	-	1%		
Signal to noise ratio	-	-	103 dB	103 dB	102.5 dB
Active Gain (1KHz, 8 Ω)	-	-	32 dB	32 dB	20 dB
Input	-	-	Neutrik & Male XLR & Female XLR		
Input Impedance	-	-	20K Ω Balanced / 10K Ω Unbalanced		
Input Connection (Full-Range)	-	-	Neutrik NL4MP (LF: 1+1- , HF: 2+2-)		
Input Connection (Sub)	-	-	Neutrik NL4MP (BASS: 1+1-)		
Cooling System	-	-	The airflow direction from back to front		
Voltage Requirements	-	-	200-240V ~ 50-60Hz		
Dimensions (H x W x D)	279 x 526 x 339 mm	750 x 556 x 655 mm	750 x 556 x 655 mm		
Net Weight	20 kg	70 kg	79 kg		

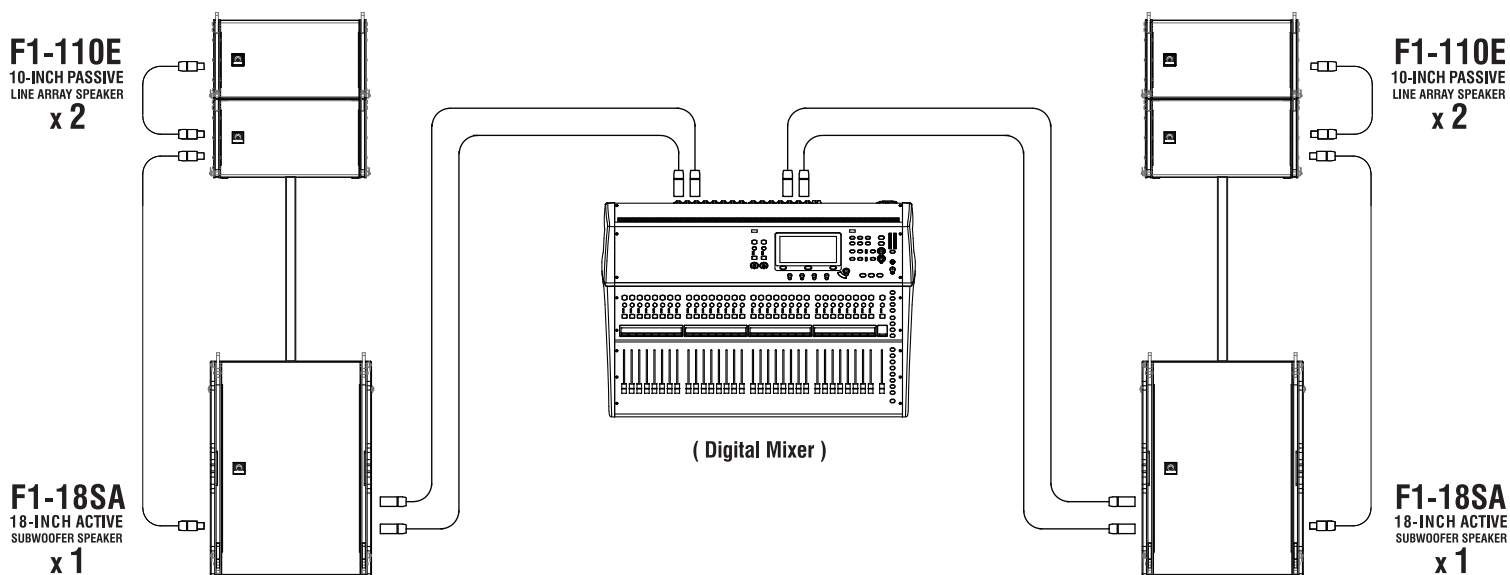
FLEXY E 4+2 DIAGRAM



FLEXY E 8+4 DIAGRAM



FLEXY E 4+2 DIAGRAM



FLEXY E 8+4 DIAGRAM

