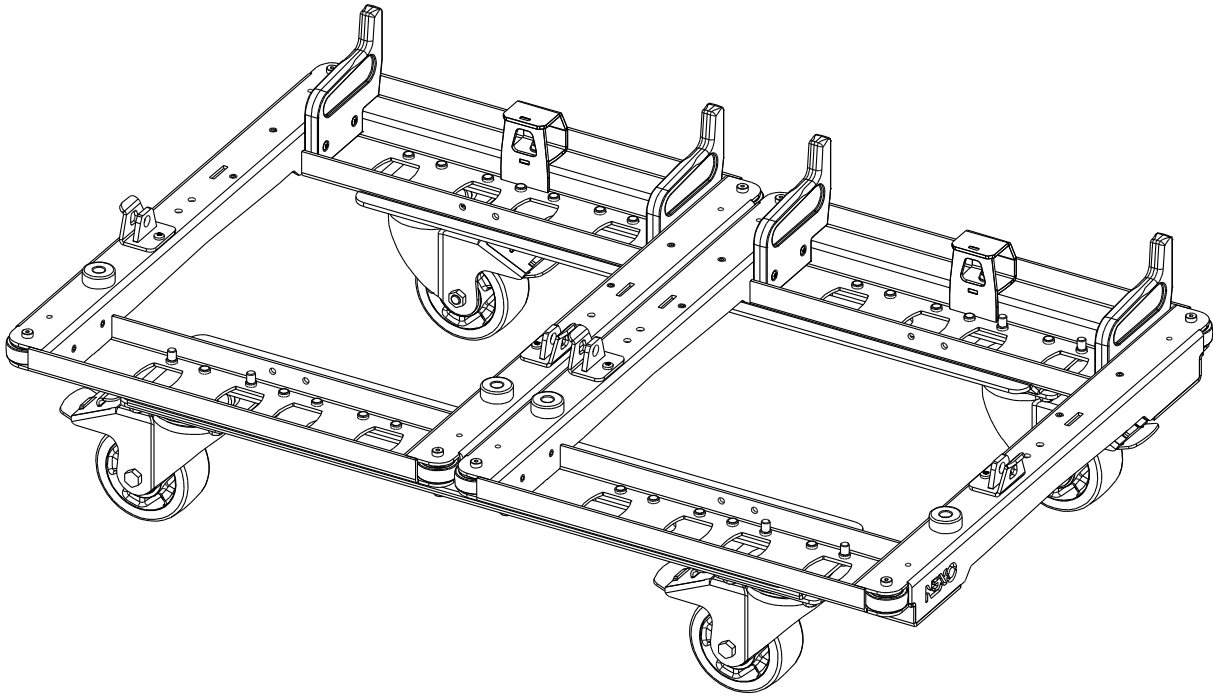
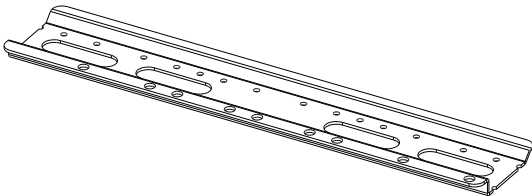
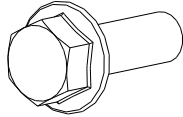


## Coupling Rod for Dolly

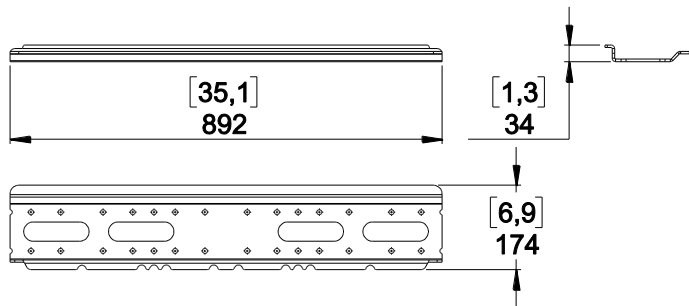


### Contents:

<p style="text-align: center;">X2</p> 	<p style="text-align: center;">X8 (M10x30)</p> 
---	--

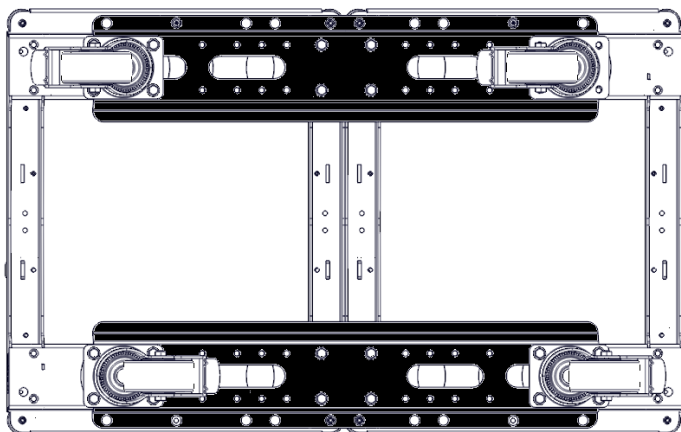
Weight: 6 kg / 13 lb (each)

## Dimensions:

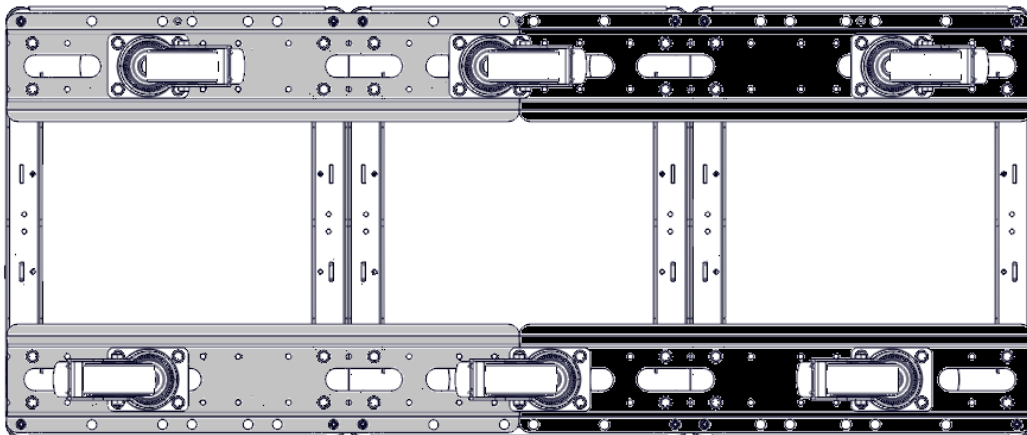


On DOLLY01, remove the castors (4 screws for each), position 1 pair of DCOUP to assemble 2 DOLLY01 or 2 pairs of DCOUP to assemble 3 DOLLY01, put the castors (4) and tight the screws (4 for each castor).

### 1x DCOUP for DOLLY02



### 2x DCOUP for DOLLY03



- NEXO cannot accept responsibility for accidents caused by any factor other than defects in this product itself.
- Please check the web site [nexo-sa.com](http://nexo-sa.com) for the latest update.

# NEXO

[nexo-sa.com](http://nexo-sa.com)

ZA du Pre de la Dame Jeanne  
60128 PLAAILLY - France

- Read this document before using.
- Keep this document.
- Observe all warnings and cautions.