



Cinema Loudspeaker System

SC-412C

Features

- 2-way, bi-amplified screen channel system
- SC-412C provides 90° horizontal by +20° to -30° vertical coverage
- Low-distortion waveguides provide highly articulate dialogue
- Shallow depth (20") facilitates installation



Developed specifically for the unique requirements of professional motion picture playback, the SC-412C extends QSC's commitment to the cinema market. As a member of the DCS Digital Cinema Speaker Series, the SC-412C is a 2-way, bi-amplified screen channel loudspeaker system comprised of two main units—the HF-75C high-frequency system and the LF-4115 low-frequency system.

The HF-75C high-frequency system features a 3" large format (75mm) titanium diaphragm compression driver mounted on a custom designed high-frequency cinema horn with an adjustable pan and tilt bracket. The HF-75C includes a driver protection and equalization network. DC blocking capacitors protect against DC or low-frequency signals that would likely destroy an unprotected driver. Power limiter circuitry protects the driver from overpowering and a response correction filter smooths the frequency response of the horn/driver combination. The driver and equalization network provides for more reliable operation, ensuring the show will go on.

The LF-4115 15" (381mm) low-frequency enclosure is designed specifically to address the extended low-frequency response required for cinema applications. The LF-4115 covers the frequency range from 32 Hz to 1000 Hz, depending upon the high-frequency system requirements.

The SC-412C is designed for ease of installation. The HF-75C components come pre-assembled to reduce field assembly time. Three bolts are all that are required to secure the HF-75C to the top of the LF-4115 enclosure.

SC-412C Details

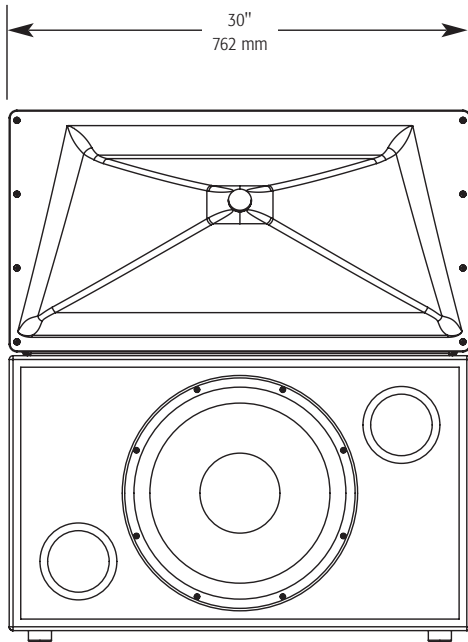
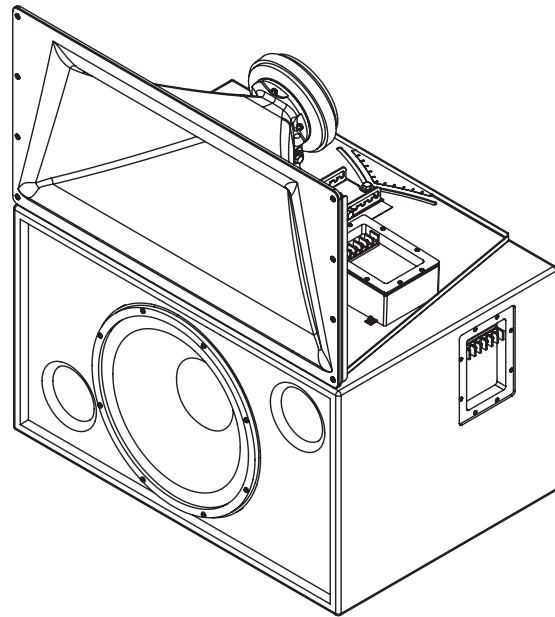
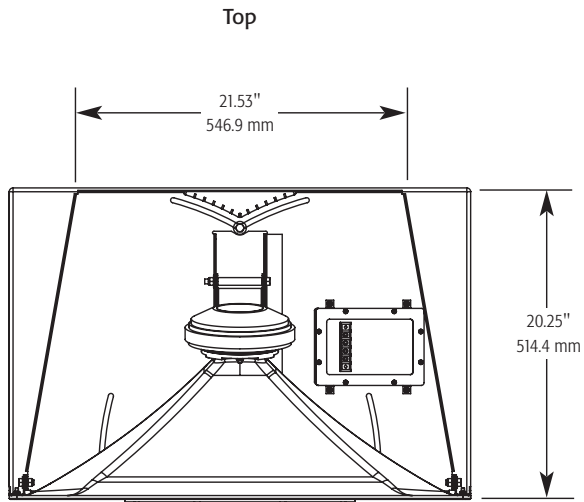
Specifications

SC-412C

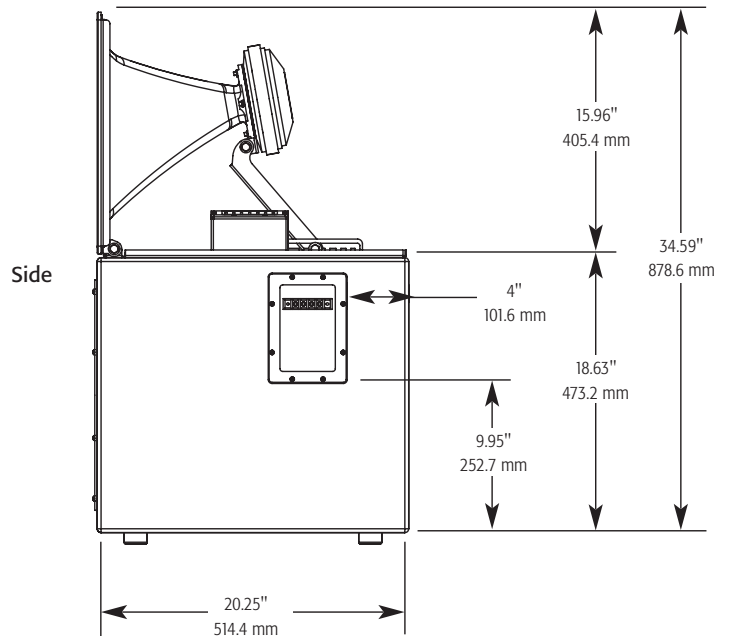
Nominal Coverage	90° horizontal x +20 to -30° vertical	
Frequency Range	32 Hz – 16 kHz (-6 dB)	
Crossover Frequency	700 Hz, 24 dB per octave	
	LF-4115	HF-75C
Impedance	4Ω	8Ω
Sensitivity 1 watt/1 meter, half space	96.5 dB	108 dB
Maximum Input Power ¹		
8 hours of 6 dB crest factor IEC 268 noise spectrum	400 W RMS	60 W RMS
2 hours of 6 dB crest factor pink noise, 50 Hz – 20 kHz, AES method	500 W RMS	75 W RMS
Recommended Amplifier Power	800 W RMS maximum	100 W RMS maximum
Recommended Processing	Subsonic filter below 30 Hz, > 18 dB per octave	4th order LR crossover at 700 Hz
Connectors	Barrier strip screw terminals accept up to #10 AWG stranded wire	Barrier strip screw terminals accept up to #10 AWG stranded wire
Transducers	One 15" (381mm) high efficiency, extended bass woofer featuring a 4" copper voice coil	1.5" (38mm) exit, 3" titanium diaphragm compression driver
Enclosure	Quasi B4 alignment, ported enclosure with fully flared ports, symmetrical port design, tuned to 36 Hz, constructed of MDF and heavily braced. Features vandal resistant woofer mounting bolts	
Dimensions (HWD)	18.63" x 30" x 20.3" (473.2 mm x 762 mm x 516 mm)	16" x 30" x 20" (406 mm x 762 mm x 508 mm)
Weight – Net	83 lb (38 kg)	40 lb (18.4 kg)
System Weight	123 lb (56.4 kg)	
Baffle Cut-Out	35.5" x 32"	

1) Maximum input power tested in accordance with IEC 268-5 recommendations, 50 Hz – 20 kHz band limiting, 6 dB signal crest factor.

SC-412C Technical Drawing



Front



Specifications subject to change without notice.



1675 MacArthur Boulevard Costa Mesa, CA 92626 Ph: 800/854-4079 or 714/957-7100 Fax: 714/754-6174

©2020 QSC, LLC. All rights reserved. QSC and the QSC logo are registered trademarks of QSC, LLC in the U.S. Patent and Trademark office and other countries.



please recycle